

# NEOX



## DESCRIPTION

Methane gas burner of the modulating type suitable to satisfy the output required by the boiler to which it is connected. **Polluting emissions (NOx - CO) in accordance with the Europe Directive 2193 (class 3) capable of developing blue flames with low emission content.**

The main characteristics of NEOX are as follows:

- **Modulating** progressive operation
- **Continuous maintenance of the Oxygen value, thus guaranteeing constant efficiency for the boiler**
- **Combustion control (Compliance with the Italian Legislative Decree 183/2017)**
- Data transfer via **Modbus** to the e-term control panel of the boiler
- Possibility of continuous monitoring by remote control
- Parameters that can be monitored: Power on, power off, operating curves, alarm log, output power, instantaneous consumption.



## OPERATING EFFICIENCY

NEOX constantly ensures maximum operating efficiency regardless of changes in physical parameters such as temperature, barometric pressure and network gas pressure. It constantly ensures maximum seasonal efficiency as **the system adapts in real time to changing environmental variables.**



## COMMISSIONING

NEOX allows **adjustment in just a few minutes** and in fully automated mode. During the first commissioning, it independently stores the positions of the regulation actuators according to a specific ratio curve of the factory preset flow rates. The output is instantly measured and displayed.



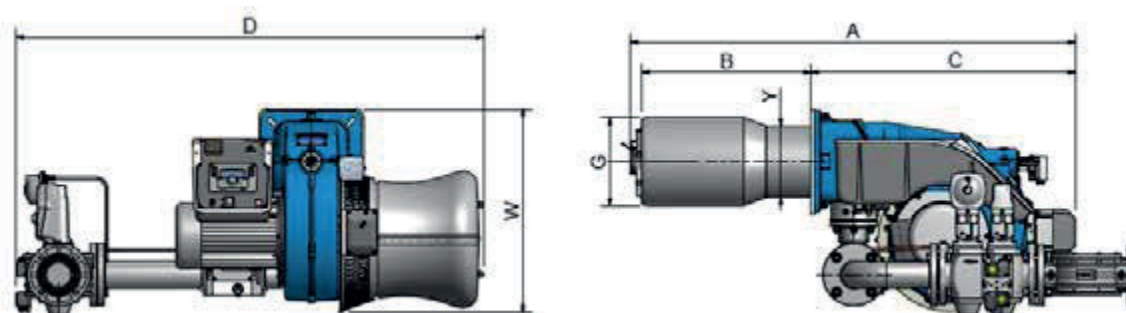
## MONITORING

The NEOX remote control system has the function of constantly monitoring the burner operation within the boiler. By doing so, ICI CALDAIE is able to check in real time any anomalies in order to promptly guarantee fast and effective assistance. By keeping alarm logs and operating curves monitored, NEOX allows both the user and the maintenance technician to carry out predictive maintenance. Any errors, graphs and signals can be transmitted via PC, e-mail or Smartphone.

## TECHNICAL DATA

Model	Min output	Max output	Electric Power Supply	Fan motor	Gas connections available	Noise level
	kW	kW	kW	kW	DN	dB
NEOX 100	160	810	230/400 v 3N ac	1,1	DN32 - DN40 - DN50 - DN65	< 80
NEOX 125	300	1150	230/400 v 3N ac	2,2	DN 40 - DN 50 - DN65 - DN80	< 80
NEOX 155	250	1550	230/400 v 3N ac	2,2	DN 40 - DN 50 - DN65 - DN80	< 80
NEOX 175	320	1750	230/400 v 3N ac	3	DN 50 - DN65 - DN80	< 80
NEOX 230	230	2250	230/400 v 3N ac	5,5	DN50 - DN65 - DN80 - DN100	< 80
NEOX 325	340	2700	230/400 v 3N ac	5,5	DN50 - DN65 - DN80 - DN100	< 80
NEOX 325	620	3250	230/400 v 3N ac	7,5	DN50 - DN65 - DN80 - DN100	< 85
NEOX 400	650	3600	230/400 v 3N ac	7,5	DN50 - DN65 - DN80 - DN100	< 85
NEOX 425	700	4240	230/400 v 3N ac	7,5	DN50 - DN65 - DN80 - DN100	< 85
NEOX 475	580	4750	230/400 v 3N ac	9,2	DN50 - DN65 - DN80 - DN100	< 85
NEOX 600	670	5900	230/400 v 3N ac	9,2	DN65 - DN80 - DN100 - DN125	< 85
NEOX 700	860	6850	230/400 v 3N ac	15	DN65 - DN80 - DN100 - DN125	< 90
NEOX 900	1450	8800	230/400 v 3N ac	15	DN80 - DN100 - DN125	< 90
NEOX 950	1300	9250	230/400 v 3N ac	18,5	DN80 - DN100 - DN125	< 90
NEOX 1000	1100	10600	230/400 v 3N ac	22	DN80 - DN100 - DN125	< 90

## DIMENSIONS



Model	A	B	C	D	Y	G	W
	mm	mm	mm	mm	mm	mm	mm
NEOX 100	1081 ÷ 1166	300 ÷ 385	747	1113 ÷ 1281	198	219	484
NEOX 125	1120 ÷ 1205	305 - 390	781	1113 ÷ 1281	210	219	495
NEOX 155	1169 ÷ 1253	400 - 500	827	1398 ÷ 1375	210	259	601
NEOX 175	1169 ÷ 1253	400 ÷ 500	827	1398 ÷ 1375	210	259	601
NEOX 230	1320 ÷ 1420	380 - 480	940	1551 ÷ 1607	257	259	708
NEOX 325	1359 ÷ 1459	430 - 530	929	1551 ÷ 1607	257	284	708
NEOX 325	1359 ÷ 1459	430 - 530	929	1551 ÷ 1607	257	284	708
NEOX 400	1571 ÷ 1671	430 - 530	1141	1740 ÷ 2070	286	284	839
NEOX 425	1571 ÷ 1671	430 ÷ 530	1141	1740 ÷ 2070	330	328	839
NEOX 475	1571 ÷ 1671	430 - 530	1141	1740 ÷ 2070	362	360	839
NEOX 600	1631 ÷ 1731	430 - 530	1201	1689 ÷ 2089	356	360	973
NEOX 700	1631 ÷ 1731	430 ÷ 530	1201	1689 ÷ 2089	336	419	973
NEOX 900	1790 ÷ 1890	445 ÷ 545	1345	2072 ÷ 2205	446	446	1161
NEOX 950	1790 ÷ 1890	445 ÷ 545	1345	2072 ÷ 2205	446	446	1161
NEOX 1000	1790 ÷ 1890	445 ÷ 545	1345	2072 ÷ 2205	539	489	1161

## PRODUCT CODES

Code	Description	MATCHING	
NEOX 100	BRCMM0089		
NEOX 125	BRCMM0090	TREVAPOR 1200	
NEOX 155	BRCMM0125	TREVAPOR 1500	
NEOX 175	BRCMM0126		
NEOX 230	BRCMM0127	TREVAPOR 2000	
NEOX 325	BRCMM0128	TREVAPOR 2500	
NEOX 325	BRCMM0129	TREVAPOR 3000	
NEOX 400	BRCMM0097	TREVAPOR 3500	TREVAPOR 4000

Code	Description	MATCHING	
NEOX 425	BRCMM0099		
NEOX 475	BRCMM0100	TREVAPOR 5000	
NEOX 600	BRCMM0101	TREVAPOR 6000	
NEOX 700	BRCMM0102		
NEOX 900	BRCMM0103		
NEOX 950	BRCMM0130		
NEOX 1000	BRCMM0131		