

MONOLITE GT



DESCRIPTION

The range of MONOLITE condensing boilers made in AISI 316 Ti STAINLESS steel with single pass furnace and vertical exchange surfaces. It produces hot water at a temperature of 110°C and is provided with pre-mixed, modulating burner for gaseous fuels with cylindrical, heat radiating combustion head and low NOx emissions.

FEATURES



Design pressure: 5 bar



Heat output: 120 ÷ 850 kW



Efficiency: > 107,0 %

ADVANTAGES



High efficiency and large exchange surfaces

Extremely high energy efficiency thanks to the large exchange surfaces allowing top efficiency values under all operating conditions.



High reliability in continuous operation

The construction features are such to make it particularly suitable to high working loads and long working periods.



Maximum security

The generator has been designed in accordance with the strictest international safety regulations in force.

Floor standing condensing boilers

MODELS

MONOLITE GT

Design pressure: **5 bar**

Heat output: **120 ÷ 850 kW**

100% efficiency (ref. NCV)

- average temperature at 70°C: **98,5 %**
- del./ret. temperature 50°/30°C: **107,8 %**

30% efficiency (ref. NCV)

- average temperature at 70°C: **98,5 %**
- del./ret. temperature 50°/30°C: **109 %**

AVAILABLE CERTIFICATIONS



RECOMMENDED TECHNOLOGIES



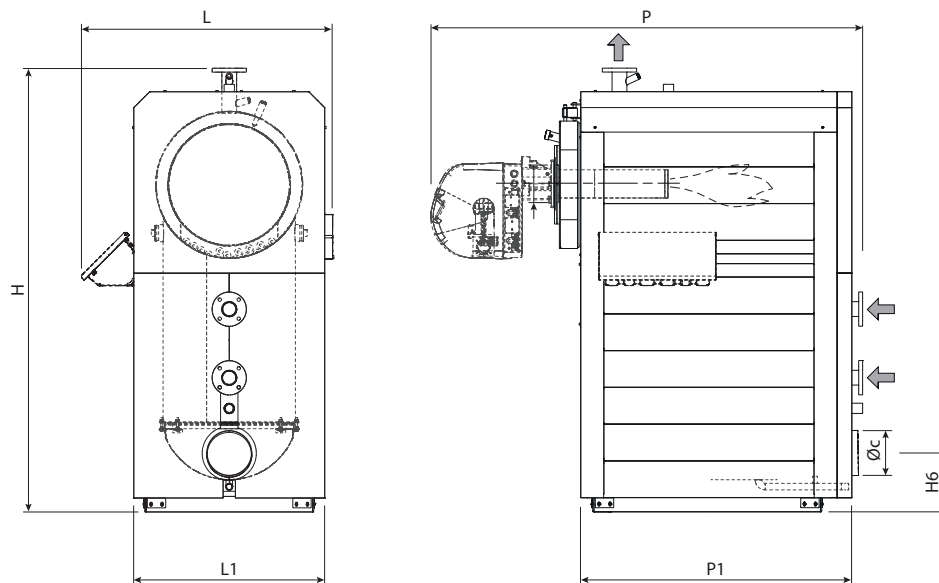
MAIN APPLICATIONS

- + Commercial facilities
- + Hospitals
- + District heating
- + Heavy industry
- + Residential buildings
- + Industrial heating systems
- + Sports centers
- + Swimming pools and water parks

TECHNICAL DATA

Model	Heat output, average temp. 70°C	Heat output, del./ret. temp. 50°/30°C	Flow thermal	Flue gas pressure drop	Hydraulic pressure drop	H2O volume	Empty weight
MONOLITE GT	kW	kW	kW	mbar	mbar	l	kg
120 GT	110	120	111	1.4	19	150	340
140 GT	128	140	130	1.4	26	204	430
180 GT	165	180	167	1.4	43	204	430
250 GT	228	250	232	2.3	29	288	655
320 GT	292	320	297	2.9	47	288	711
420 GT	384	420	390	3.2	35	347	847
555 GT	507	555	515	3.6	25	469	1201
700 GT	640	700	649	3.9	40	440	1237
780 GT	713	780	724	3.4	50	506	1381
850 GT	777	850	789	4	59	506	1381

DIMENSIONS



Model	H	H6	L	L1	P	P1	Øc
MONOLITE GT	mm	mm	mm	mm	mm	mm	mm
120 GT	1811	241	994	780	1270	851	180
140 GT	1811	241	994	780	1587	1106	180
180 GT	1811	241	994	780	1760	1106	180
250 GT	2140	358	1104	890	1765	1041	200
320 GT	2140	358	1104	890	2005	1281	200
420 GT	2185	358	1104	890	2300	1536	200
555 GT	2294	310	1188	974	2452	1560	250
700 GT	2294	310	1188	974	2452	1560	250
780 GT	2294	310	1188	974	2695	1810	250
850 GT	2294	310	1188	974	2695	1810	250

STANDARD EQUIPMENT

- Complete insulation casing
- Pre-mixed modulating burner for gaseous fuels

PRODUCT CODES

Model	Code
MONOLITE 120 GT	81037120
MONOLITE 140 GT	81037140
MONOLITE 180 GT	81037180
MONOLITE 250 GT	81037250
MONOLITE 320 GT	81037320
MONOLITE 420 GT	81037420
MONOLITE 555 GT	81037555
MONOLITE 700 GT	81037700
MONOLITE 780 GT	81037780
MONOLITE 850 GT	81037850

AVAILABLE ACCESSORIES

Code	Description	Monolite GT
81020001	Neutraliser	■
QCOND01ELMCE	Thermostatic control panel	■
QETERM01CE	Eterm boiler management control panel	■
QETERM01RU2	Eterm boiler management control panel - only for Russia and the former Soviet Union	■
QETERM02	Eterm system control panel	■
QCTETERM	Eterm Easy manager panel	■